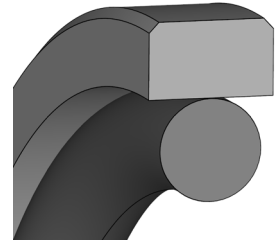


KPOR30



DESCRIPTION

Product group: piston seal
Design: POR PTFE seal with an o-ring energising element
Profile no.: 30
Specification: Z seal with an o-ring energising element
Seal material: PTFE
Spring material: NBR 70

OPERATIONAL APPLICATION LIMITS

Pressure (MPa): ≤ 40
 Temperature (°C): -30 to $+100$
 Running speed (m/s): ≤ 15

The values indicated here are maximum values. All of them must not be achieved simultaneously.

MEDIA

- Hydraulic oils acc. to DIN 51524 Part 1 – 3
- Lubricating oils
- Mineral oil based lubricating greases
- Highly non-flammable hydraulic fluids HFA, HFB, HFC acc. to VDMA 24317

FUNCTION

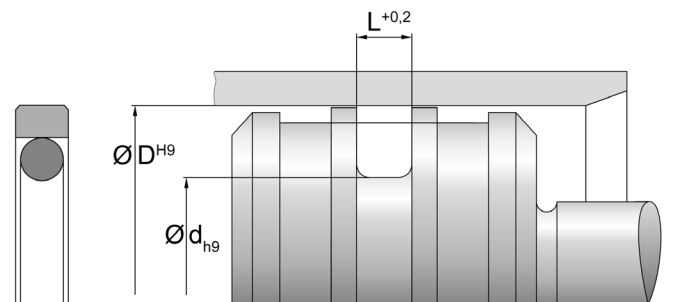
The KPOR seals consist of a PTFE sealing element which is energised by an o-ring. This results in an exceptionally good sealing function under high loads and good static sealing performance. The KPOR30 design is a double acting piston seal.

INSTALLATION

For small diameters, axially accessible installation housing is required. For larger pistons, the seals can be installed in closed installation housings. Subsequent calibration is necessary.

REMARKS

The standard for this design is a PTFE-Bronze/NBR 70 combination. Depending on the area of application, other materials such as PTFE-Glass, PTFE-Graphite and PTFE-Carbon for the seal element and EPDM, FKM, VMQ etc. for the energising element are available. Sufficient guiding of the piston using suitable guide elements is necessary.



The information contained herein is considered to be reliable, but no assurances, warrants or guarantees whatsoever, of any kind, are provided with regard to their correctness or suitability for any purpose. The information reproduced herein is based on the current state of the technology and is not necessarily indicative of the performance of the end product. Complete testing and the performance of the end product are the user's responsibility.

www.dichtomatik.com