

## DIAPHRAGM ACCUMULATOR (WELDED, REFILLABLE)



### PRODUCT DESCRIPTION

- Diaphragm accumulators correspond to the European directive 2014/68/EU
- Welded, refillable design with a gas port (M28 x 1,5)
- Usage as hydraulic energy accumulators in diverse types for many different areas of application
- Diaphragm accumulators vary in: nominal volume, permissible operating pressure, gas pre-load, diaphragm material and fluid connection.

### PRODUCT ADVANTAGES

- Through the gas port are inspections and poss. adjustments of the gas pre-load possible
- Common oil connections available with standard products, further options are available on request
- Covering a large temperature range with different diaphragm materials
- High functional safety and longevity
- Operation optimized applications with pressures of up to 350 bar

### APPLICATION

Several applications possible, e.g. in:

- Machines with hydraulic drives
- Presses
- Agricultural- and construction machines
- Modern industrial robots
- Gear Technology
- Braking Systems
- High-pressure cleaner
- Drive hydraulics
- Noise minimization
- Vibration reduction
- Axle suspension
- Driver's cabs

### MATERIAL

<b>Housing</b>	Steel
<b>Suggested Oil Type</b>	Nitrogen/ Mineral oil of fluid group 2

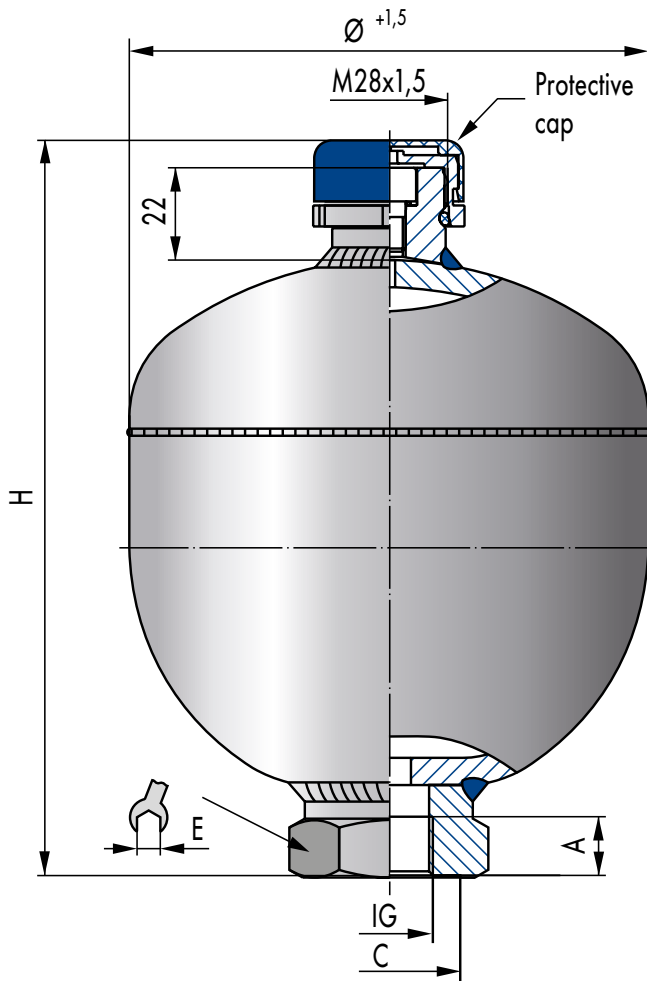
The permitted working temperature of our diaphragm accumulators are dependent on the application limits of the metal materials (housing) and the diaphragm materials.

Diaphragm Material	Perm. Operating Temperature
NBR	-20 °C ... +80 °C
ECO	-40 °C ... +80 °C

Different diaphragm materials on request.

### OPERATING CONDITIONS

<b>Gas filling</b>	Pure nitrogen, required gas filling must be specified when placing the order.
<b>Hydraulic fluid</b>	See attached table "Recommended Oil Types".
<b>Installation position</b>	Optional, preferably vertically.
<b>Filling and testing device DFM</b>	→ Filling device for diaphragm accumulators with a M28 x 1,5 gas connection

**FITTING & INSTALLATION****DIRECTIVES**

Our Diaphragm accumulators correspond to the European directive on pressure equipment 2014/68/EU, article 4 paragraph 3.

**Installation and operation**

→ Operating instruction.

**Calculation and design.**

→ Technical manual (Available on request).

**GAS FILLING PRESSURE**

Catalogue articles do contain a gas pre-charge of 0 bar.

Please specify the gas fill pressure, if departing from 0 bar, when placing the order.